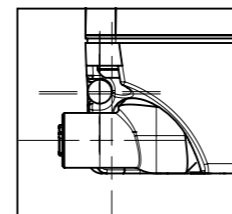
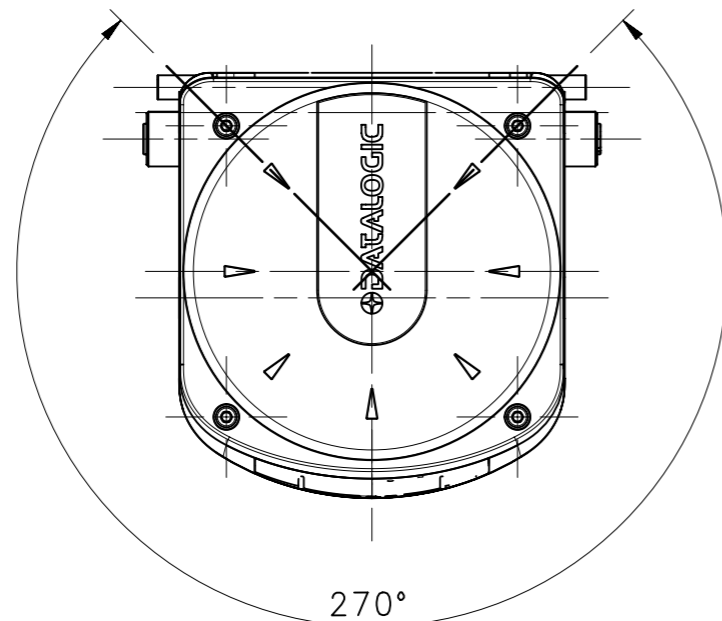


Rotating connector

Rotating connector



Rotating Connectors 120°



MOD.	REV.	PROPOSAL	DESCRIPTION	DATE	SIGN				
All materials employed have to be selected among RoHS compliant materials: the EC directives to be referred to are 2002/95/EC and correlated subsequent ones.									
DATALOGIC WORKMANSHIP AND PACKAGING STANDARDS		<input type="checkbox"/> For Metal Parts last revision issued of GM_SSM_010_SPM. Unless otherwise specified, surfaces shall be category "C" <input type="checkbox"/> For Plastic, Rubber and Overmold Parts last revision issued of GM_SSM_004_SPP. Unless otherwise specified, surfaces shall be category "C" <input type="checkbox"/> For Package last revision issued of GM_SSM_002_SPS and GM_SSM_007_SPI. <input checked="" type="checkbox"/> Not applicables							
DIMENSIONS WITHOUT TOLERANCE DEGREE:			NOTE						
-									
PRECISION DEGREE	DIMENSIONAL GROUPS					TREAT.	SCALE		
	> 0 A 6	> 6 A 30	> 30 A 120	> 120 A 315	> 315 A 999				1:2
MEDIUM (m)	± 0,1	± 0,2	± 0,3	± 0,5	± 0,8	DES. BY M.Brancaleoni	DATE 15/09/2017	APPROVED BY (IF REQUIRED)	
PRECISE (P)	± 0,05	± 0,1	± 0,15	± 0,2	± 0,3	NAME		MOLD N°	
www.datalogic.com							SLS Laser Sentinel		REV.
							DWG N° DIM-0916		